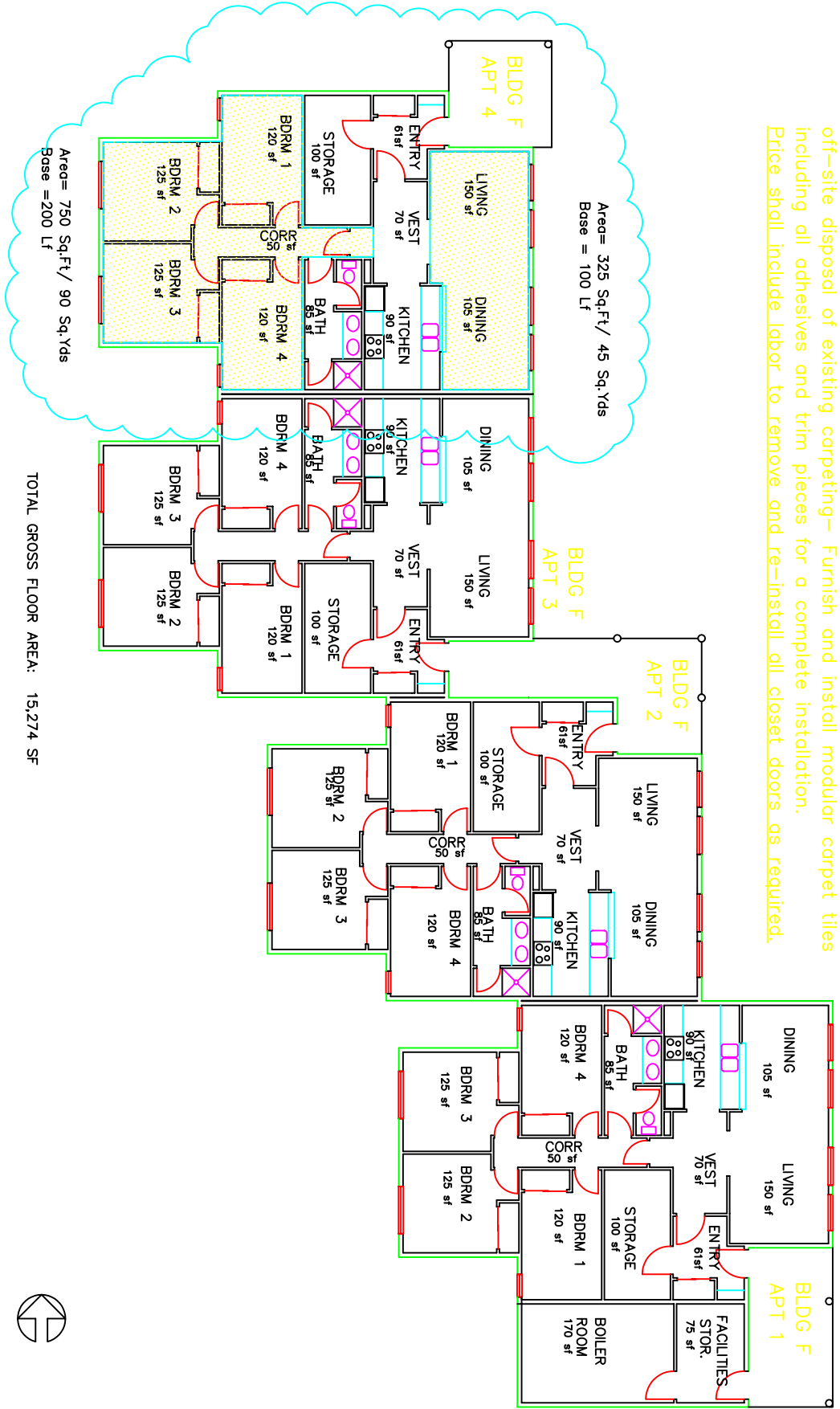


CARPET: MANNINGTON 18" Modular Color: Nautica
 Cove Base: 4" Vinyl-Roppe Color: Colonial Blue

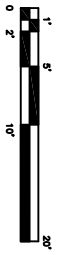
Note: Contractor Quote to include all equipment and labor for demo and off-site disposal of existing carpeting—Furnish and install modular carpet tiles including all adhesives and trim pieces for a complete installation.
 Price shall include labor to remove and re-install all closet doors as required.



TOTAL GROSS FLOOR AREA: 15,274 SF

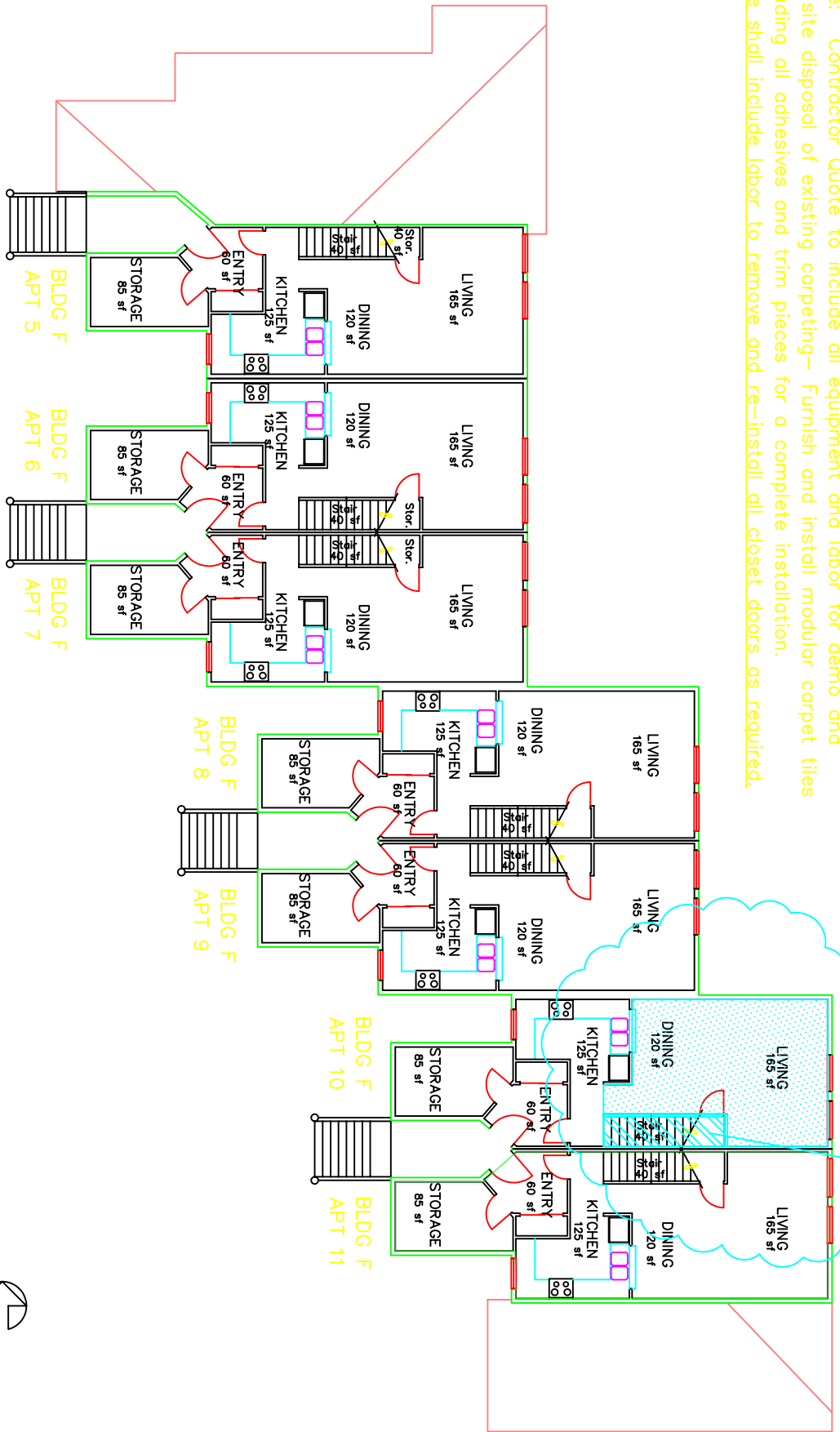
STUDENT HOUSING BUILDING 'F'— LOWER LEVEL
 Building No.: JS-116

JANUARY 2003



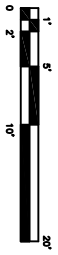
CARPET: MANNINGTON 18" Modular Color: Nautica
 Cove Base: 4" Vinyl-Roppe Color: Colonial Blue

Note: Contractor Quote to include all equipment and labor for demo and off-site disposal of existing carpeting—Furnish and install modular carpet tiles including all adhesives and trim pieces for a complete installation. Price shall include labor to remove and re-install all closet doors as required.

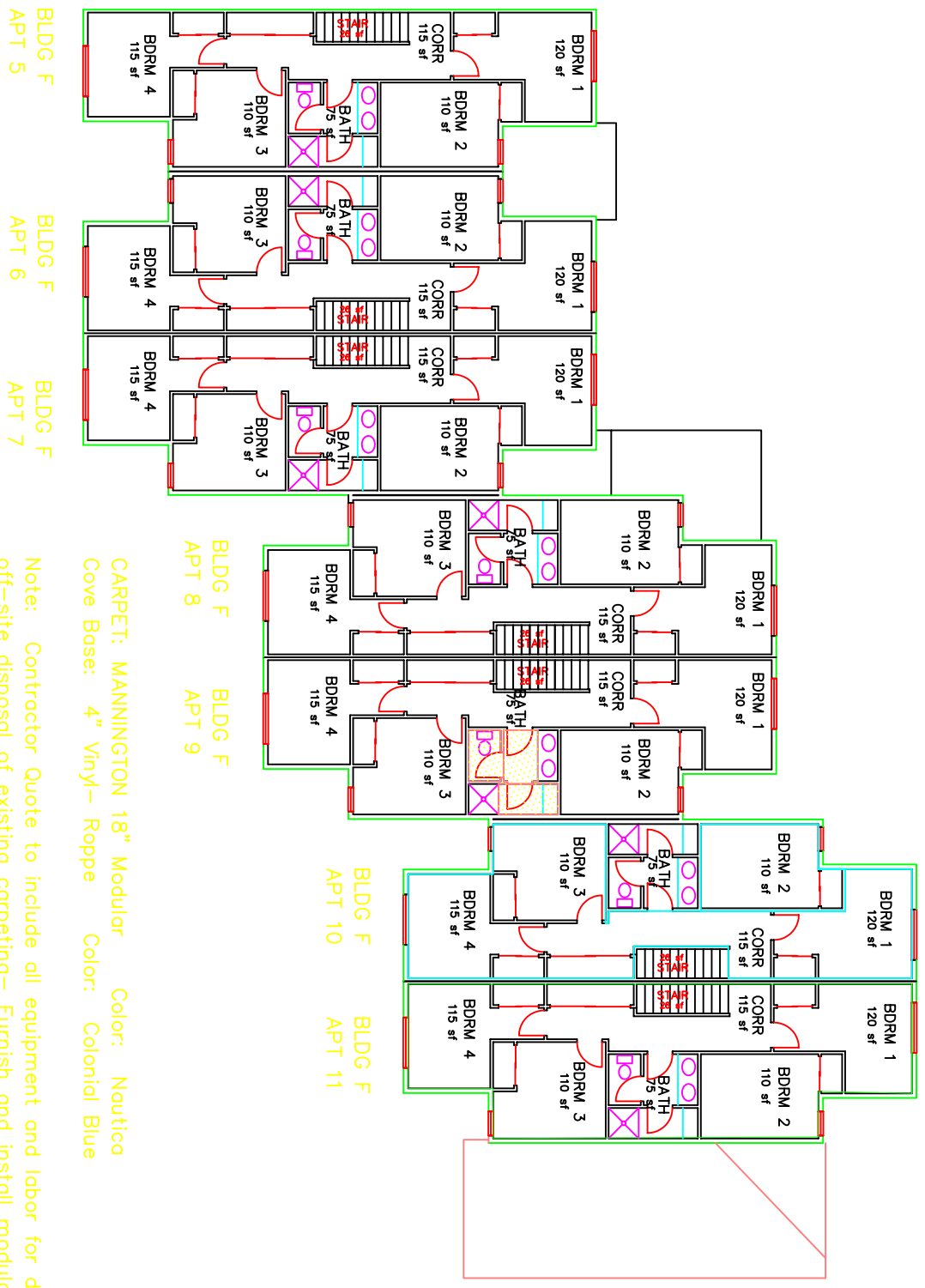


STUDENT HOUSING BUILDING 'F' – MAIN LEVEL TOWNHOUSES
 Building No.: JS-116

JANUARY 2003



Area = 1000sf / 125 Sqyds.
Base = 360 L'



Note: Contractor Quote to include all equipment and labor for demo and off-site disposal of existing carpeting—Furnish and install modular carpet tiles including all adhesives and trim pieces for a complete installation. Price shall include labor to remove and re-install all closet doors as required.

CARPET: MANNINGTON 18" Modular Color: Nautica
Cove Base: 4" Vinyl—Roppe Color: Colonial Blue

STUDENT HOUSING BUILDING 'F' — UPPER LEVEL
Building No.: JS-116

JANUARY 2003

